

tricel[®]



Tricel Septic Tanks suitable for 4 to 10 persons (P4-P10)



Tank capacities are designed in accordance with BS6297:1983

- other sizes are available on request

Tricel low profile septic tanks are suitable for both single houses and larger developments. All Tricel low profile septic tanks are manufactured to the highest standards and meet both BS6297:1983 and European Certification EN12566-1. Their rounded one piece design enables easy installation and causes less disruption to the surrounding environment. Larger tank sizes are available by request.



OPTIONAL EXTRAS

- Manhole Risers
- Pumped Systems Available

EN 12566-1 European Certified

	Tricel Super Low Pro - P6 EN 12566-1	Tricel Low Pro - P4	Tricel Low Pro - P6	Tricel Low Pro - P10
Capacity	3080 litres	2800 litres	3080 litres	4000 litres
Length	2700 mm	2178 mm	2178 mm	2578 mm
Width/Dia	1190 mm	1680 mm	1680 mm	1680 mm
Height	1440 mm	1679 mm	1910 mm	1910 mm



Super Low Pro P6



Low Pro P4



Low Pro P6

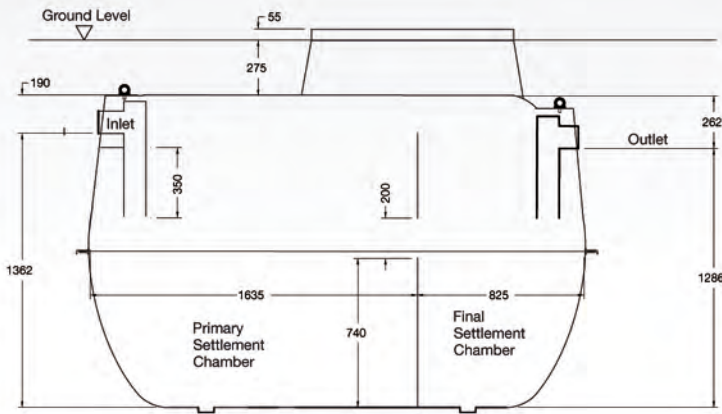


Low Pro P10

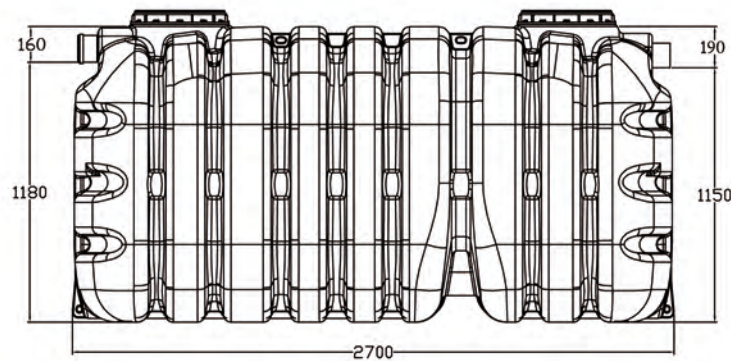
Tricel® is the registered trade name given to a range of wastewater treatment products supplied by Nicholson Plastics Ltd.

A conventional septic tank system comprises of a septic tank followed by a soil percolation area. The septic tank functions as a primary sedimentation tank, holding the wastewater long enough to allow the solids to settle and form sludge. The wastewater from the septic tank is discharged into the percolation area, which acts as a bio filter.

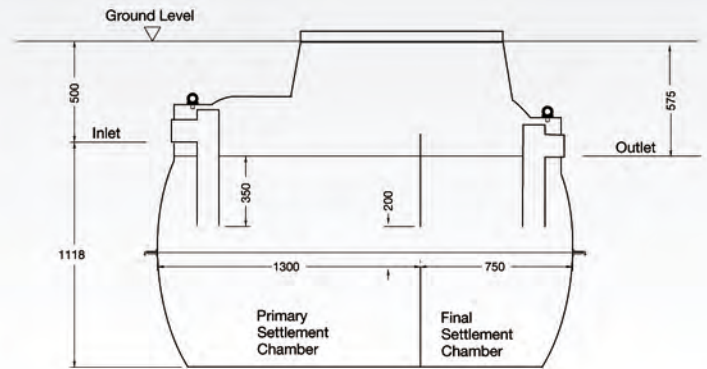
These systems provide effective treatment and disposal of domestic wastewater when properly sized in accordance with national codes and regulations.



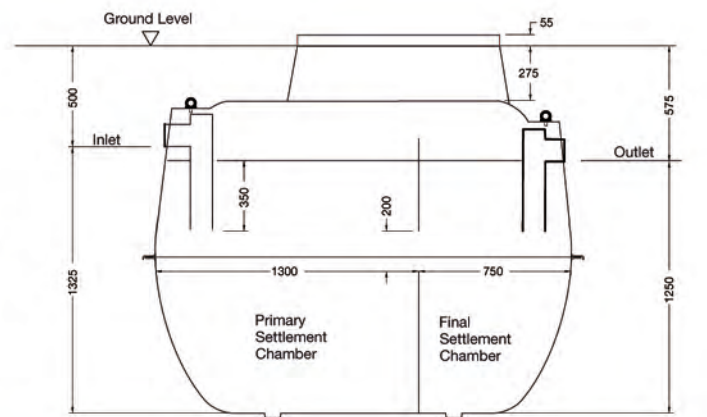
P10 Septic Tank



Super Low Pro P6 Septic Tank

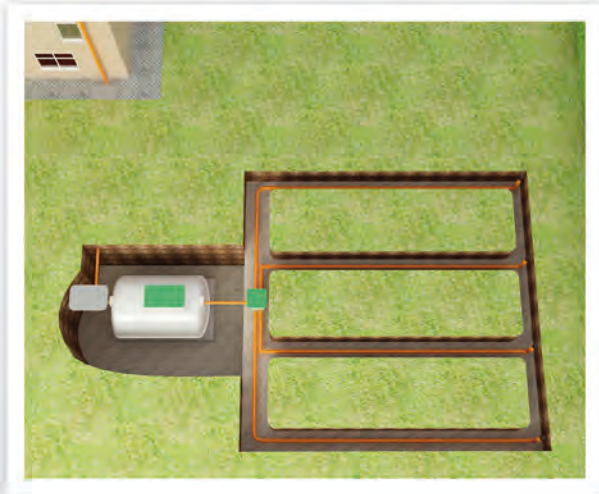


P4 Septic Tank



P6 Septic Tank

A drainage field design is based on the soil porosity. Soil porosity is specific to each site. Ensure tests are completed to determine the number and length of trenches prior to installation. Technical advice is available from our sales department.



**Nicholson Plastics Ltd, Riverside Road Kirkfieldbank Lanark ML11 9JS
Tel: 01555 664316 • Fax: 01555 663056**

**Email: sales@nicholsonplastics.co.uk
www.nicholsonplastics.co.uk**

